



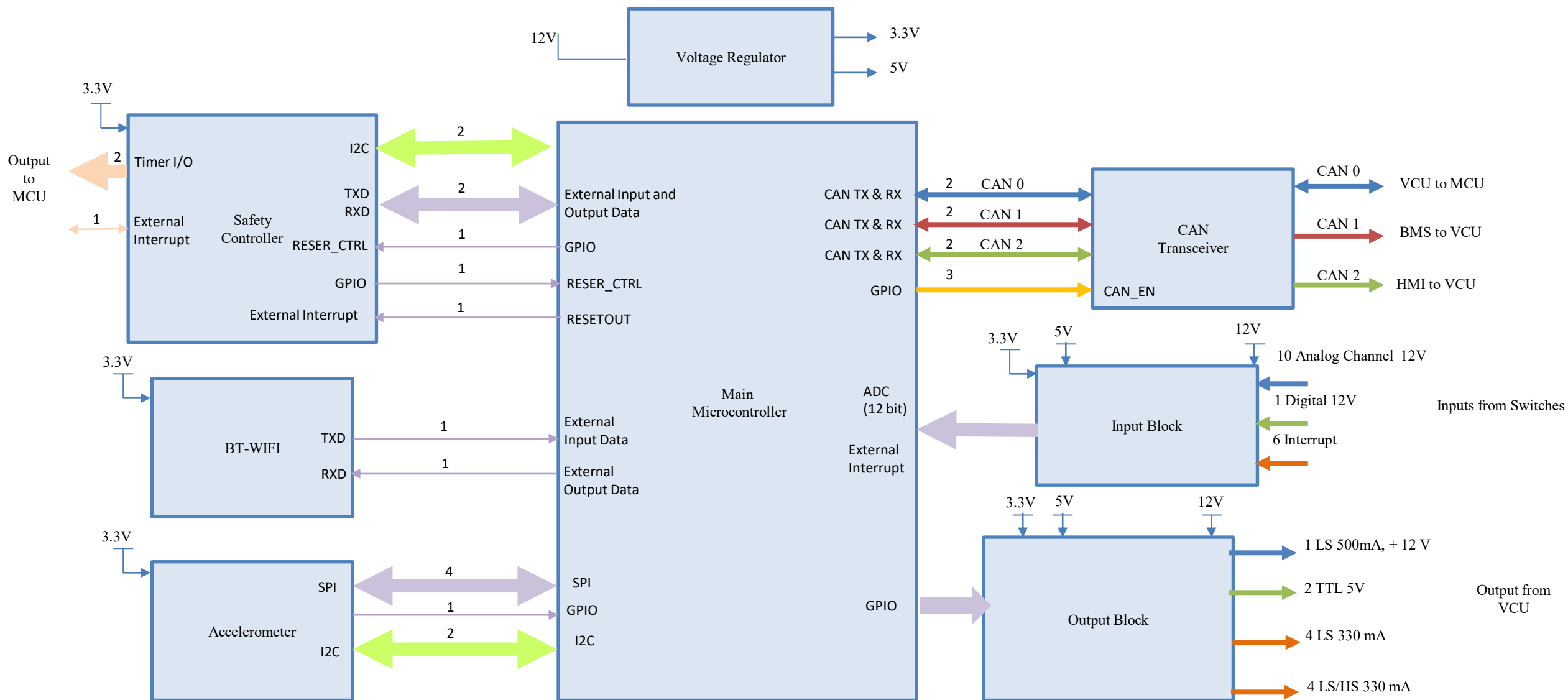
Sloki Software Technologies LLP

www.sloki.in

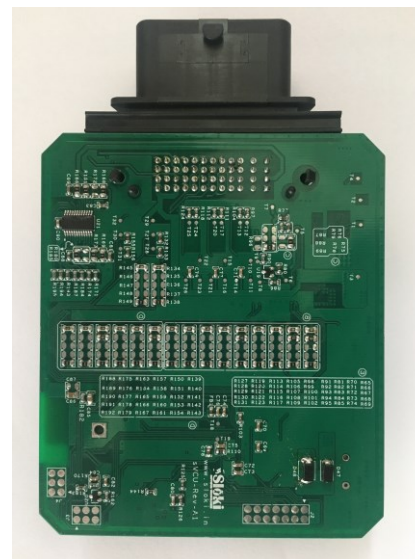
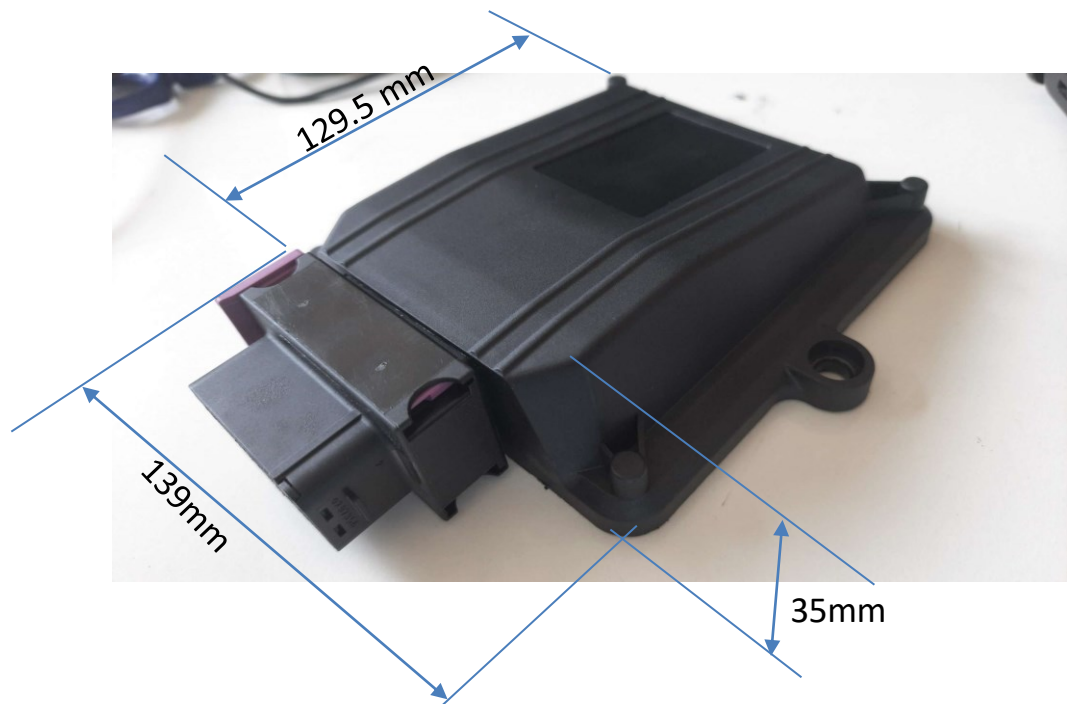
ISO 9001:2015 Certified

**Sloki Vehicle Control Unit for
Electric 2 Wheelers**

VCU Block Diagram



ECU Dimensions & Actual PCB Pictures



Dimensions in mm

2 Wheeler Vehicle Control Unit for Electric Vehicle

Software Features/Specifications:

- Controlling motor by communicating with Motor Control Unit.
- Communicate with HMI via CAN for Displaying information.
- Communicate with BMS using CAN to monitor Battery voltages, SOC, power drawn, temperatures, etc.
- Broadcast information to Smartphone via Bluetooth Connectivity.
- Key-less go function if it is connected to authenticated smartphone via BLE.
- Safe mode will be triggered automatically by the VCU if system temperature exceeds preliminary safe limits or vehicle is fallen down.
- CAN based communication.



Images of the VCU

VCU Controller Specifications

Parameter	Range	Parameter	Range
Family and series	32 bit controller	Watchdog Timer (ch)	2
Bit Size	32	Other Timers	Timer for OS x 1ch, Encoder timer x 1ch
Program Memory (KB)	512	PWM Output	24
RAM (KB)	64	10-bit A/D Converter (ch)	14
Data Flash (KB)	64	12-bit A/D Converter (ch)	11
Program Memory Type	Flash Memory	CAN (ch)	3
Pin Count	80	Clocked Serial Interface (ch)	4
Max. Freq (MHz)	120	SPI (ch)	4
Operating Voltage (V)	3.0 to 5.5	UART (ch)	3
On-chip Oscillator Freq. (MHz)	8 MHz, Low Speed: 240 kHz	I2C (ch)	2
External Interrupt Pins	13	LIN (ch)	5
I/O Ports	64	Operating Temperature (°C)	-40 to - 125
16-bit Timer (ch)	32		
32-bit Timer (ch)	16		



**Quick Customization
New Layout and Software
Development within 1 to 3
Months**



**Cater to Start-ups with
Low volume req.
(~500/1000)**



**Complete
Design/Components
Automotive grade**



**Low Power
Consumption**



**Flexible and Adaptable
Team**

VCU Product Manufacturing Support

1. Sloki team can support the production through its established eco-system of contract manufacturer within India.
2. Genuine channel partner for component procurement.
3. Production handling capabilities: Volume of 2K up-to 200K per Year.
4. Low volume support during vehicle launch stage: 1000/2000 Qty.
5. Certification Support: Sloki can support customer for Product Certification at reasonable handling charges.
6. Custom Design: Sloki team can support designing the custom VCU requirements and deliver the prototype samples within 2 to 3 months of time.

Thank You

Sloki Software Technologies LLP

Registered Address:

D317, Sumadhura Sandoval, Thubarahalli, Varthur Road,
Bangalore – 560066 (INDIA)

R&D Centre:

#166, 5th Main Road, Opp BDA Complex, M C Layout,
Vijayanagar, Bangalore – 560040

[Email: hareesha@sloki.in](mailto:hareesha@sloki.in)

Mobile: +91- 9880 – 667 - 877.

Office: +91 – 9108 – 919 - 608.